



5620 - 76 Avenue, Edmonton, Alberta T6B 0A6
 Tel: 780.468.5555 • Fax: 780.485.1923 • www.viscosystems.ca

“FB” SERIES RAISED ACCESS FLOOR BOX

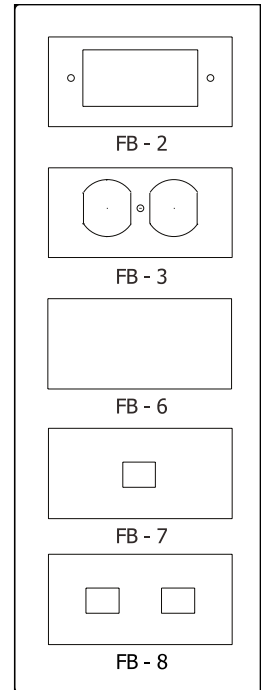
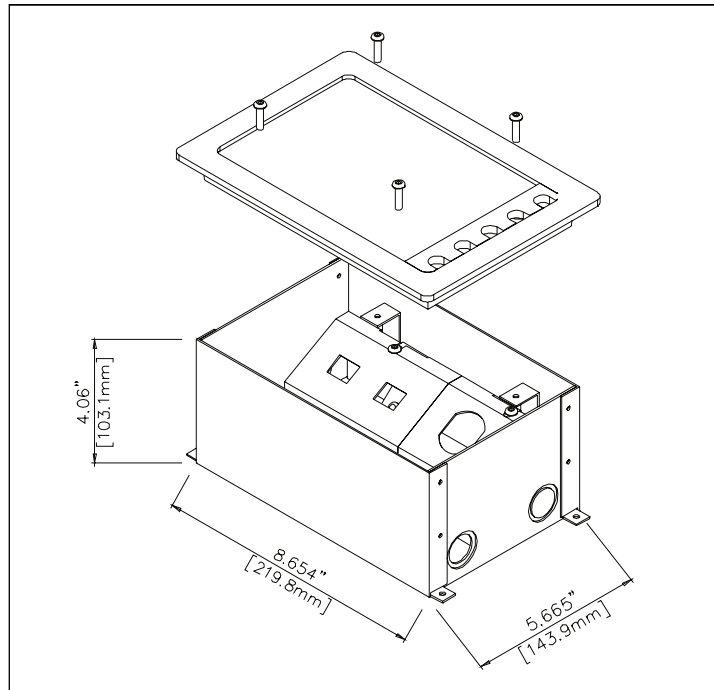
The ‘FB’ series dual service raised floor box is constructed from heavy 16 gauge galvanized steel. Spot welded at the corners to further enhance its strength. It is supplied complete with a cast zinc alloy hinged access cover that is powder coated in a textured black finish.

The ‘FB’ series floor box comes with (2) 1/2" - 3/4" combination conduit knockouts on each end. It also has fastening tabs on each corner for stability when it is surface mounted.

Our floor box features a high degree of flexibility with provisions for a variety of different interior configurations to meet most needs. The standard box includes (2) standard duplex receptacle covers (FB-3) and (2) data/telephone connector covers (FB-8) which are also suitable for (2) RJ45 connectors. Also available

as options are plates to accommodate ‘Decora’ receptacles (1.3125" x 2.66"), single data/telephone connectors (.765" x .585"), and blank covers. All internal fasteners are included in the package.

The ‘FB’ series dual service raised floor box is CSA approved for installation in either surface applications or recessed in concrete.



“FB” Series Floor Box Ordering Guide

FB	Standard galvanized floor box with zinc alloy cover, (2) standard duplex receptacles, and (2) data/communication connector covers
FB-2	‘Decora’ duplex receptacle cover plate
FB-3	Standard duplex receptacle cover (extra if required)-2 supplied with the floor box
FB-6	Blank cover
FB-7	Single data/communication connector cover
FB-8	Double data/communication connector cover (extra if required)-2 supplied with the floor box